

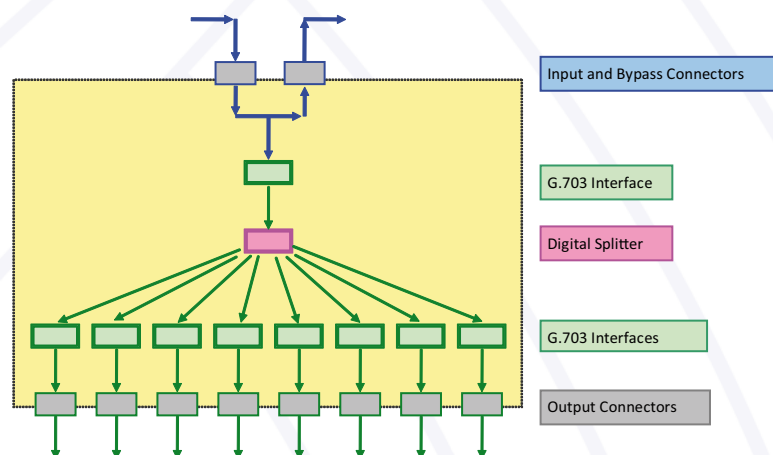
ETI DIGITAL SPLITTER

- D-SPLITTER creates eight identical outputs from a single DAB/DAB+/DMB Multiplex ETI bitstream.



- The source stream connection is made through two BNC connectors that are hard-wired in parallel and the original bitstream passes-through the Splitter without any in-line circuitry or delay.
- Monitoring, recording and other equipment can be connected or disconnected at the outputs without disturbing the source bitstream, even when the Splitter is unpowered.

- For compatibility with the DAB Ensemble Transport Interface (ETI) specifications, D-SPLITTER signal input/output interfaces incorporate ITU G.703 compatible receivers/drivers; common-mode line chokes; over-voltage protection and isolation transformers.
- The unit is AC powered and supplied in a 1U rackmount case.



D-SPLITTER provides 8 outputs from a single input

D-SPLITTER Specifications

INPUT

- ✓ **Signal Interface**
 - ETI or STI compatible with ITU G.703
- ✓ **Input Impedance**
 - 40 k Ω without supplied external terminator
 - 75 Ω with supplied external terminator fitted to the bypass BNC connector
- ✓ **Input Amplitude**
 - $\pm 2.37\text{ V} \pm 10\%$ nominal, to -12dB
 - $\pm 5\text{ V}$ maximum
- ✓ **Pulse Width**
 - 230 ns to 260 ns
- ✓ **Input Jitter Tolerance**
 - 14UI @ 750Hz
 - 0.4UI, 10kHz to 100kHz

OUTPUT

- ✓ **Signal Interface**
 - ETI or STI compatible with ITU G.703
- ✓ **Output Impedance**
 - 75 Ω
- ✓ **Output Amplitude**
 - $\pm 2.37\text{ V} \pm 10\%$
- ✓ **Pulse Width**
 - 244 ns nominal
- ✓ **Output Jitter Attenuation**
 - 10dB/decade from 10Hz
 - Meets the requirements of ITU G.736 and I.431
- ✓ **Input to Output Delay**
 - Minimum: 1 μs
 - Maximum: 16 μs
 - Typical: 8 μs

ENVIRONMENT & MECHANICAL DATA

- ✓ **Status and Control**
 - Power
 - Signal presence
- ✓ **Input/Output connection**
 - Data: BNC
 - AC Power: 3 pin IEC
- ✓ **Power**
 - Supply: 85V - 264V, 47Hz - 63Hz, universal input
- ✓ **Physical**
 - 1U rackmount chassis
 - 428mm x 105mm x 44mm
 - 1.6kg
- ✓ **Environmental**
 - 0°C to 70°C
 - 5% to 95% non-condensing



D-SPLITTER front panel



D-SPLITTER rear panel



VDL Head office
90 rue Paul Bert - 69446 Lyon Cedex 03
FRANCE - Tel: +33 (0)4 72 84 06 00
Fax: +33 (0)4 72 84 06 01

sales@vdl.fr - www.vdl.fr - www.vdl-broadcast.com
Siren: 421 579 400 - NAF: 6130 Z

VDL International Sales & Marketing Office
CityPoint - Temple Gate - Bristol BS1 6PL - UK
Tel: +44 (0)117 373 6260
Fax: +44 (0)117 373 6261