

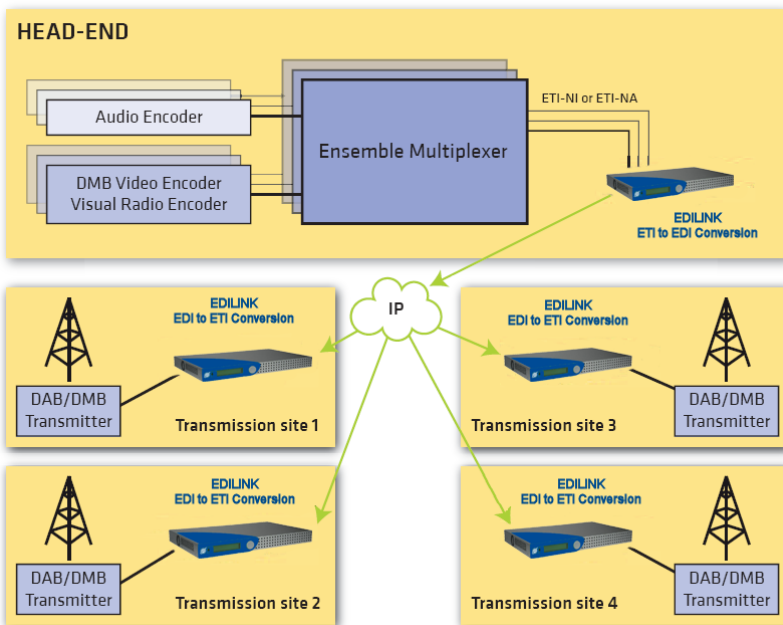
# D-EDILINK

## ETI-EDI Gateway



**D-EDILINK** provides a cost-effective, flexible and reliable solution for the distribution of DAB and DMB Ensembles over IP networks.

The ETI-EDI Gateway meets the requirements of the new WorldDMB specification for the Encapsulation of DAB Interfaces (EDI) for the distribution of ETI (ETS 300 799) compliant data streams over IP networks.



Fully configurable through NMS

### HIGHLIGHTS

- Up to 4 ETI interfaces + 4 mirrors
- Separate control & data network interfaces
- Advanced network jitter removal
- Forward Error Connection (FEC)
- Unicast-or multicast support
- IGMP v2/v3 support
- UDP/DCP support
- VLANs support
- Embedded HTTP server
- Real-time statistics
- Fault relay alarm
- SNMP Traps, Gets & Sets

**D-EDILINK** supports the distribution of ETI over varying conditions of IP networks, and ensures the robust delivery of ETI compliant data over networks affected by congestion, jitter and limited packet loss.

The unit can be configured to operate a re-send function, or re-construct missed packets at the receiver in times of packet loss. Protection, Fragmentation and Transport (PFT) can add a further layer of Reed Solomon block coding and fragmentation if required. This is especially attractive for unidirectional or low quality of service (QoS) networks.



## Specifications

### INTERFACE

- ETI (ETS 300 799)
- 8 x BNC 75 Ohms connectors  
(4 x main + 4 x mirrors)

### PROCESSING

- Up to 4x simultaneous streams
- Reed-Solomon Forward Error Correction
- Low bandwidth requirements
- Advanced network jitter removal
- SFN preservation (SFN over IP)
- Reed-Solomon code strength control
- ETI-NI or ETI-NA output

### CONTROL & MANAGEMENT

- 10/100BaseT connection
- Web client interface with live statistics and monitoring
- Front panel control and status of main settings
- SNMP v2 support configurable through NMS  
(Gets, Sets and Traps)

### NETWORK INTERFACES

- Control interface: 10/100BaseT
- Data interface: 10/100/1000baseT
- Connectors: RJ45
- Protocols: UDP/DCP, IGMP, ARP, SNMP

### PHYSICAL

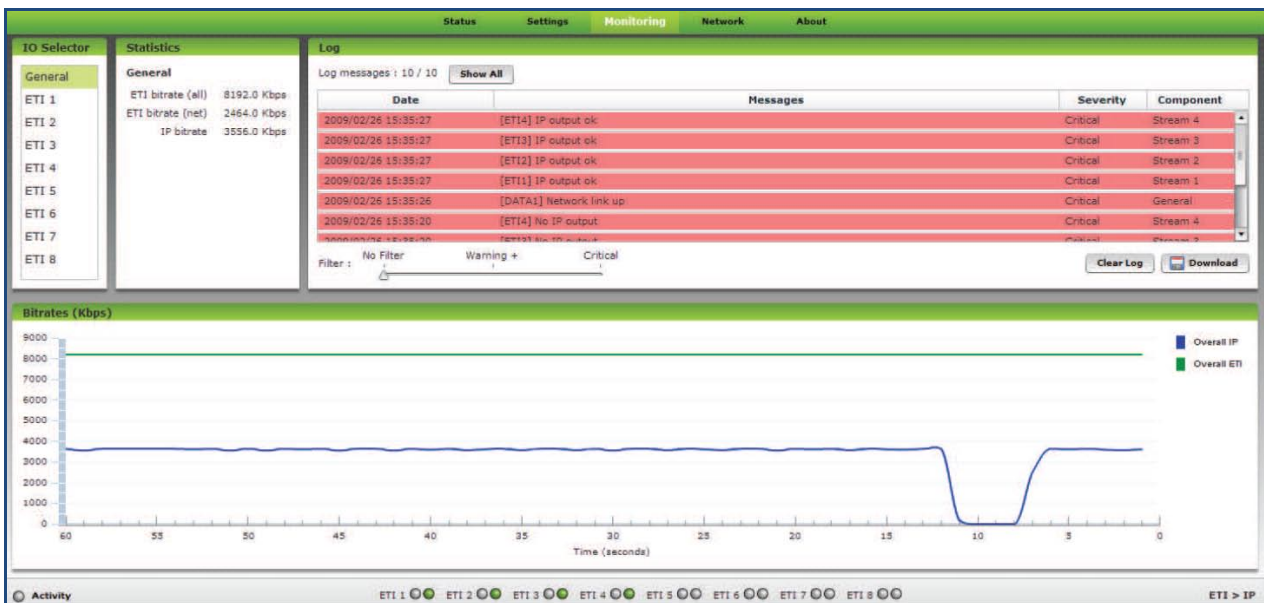
- 1U rack-mount chassis
- 440mm (w) x 43mm (h) x 263mm (d)
- 3.5kg weight

### POWER

- 90V – 240V AC power supply
- Less than 40W power consumption

### ENVIRONMENT

- Operating Temperature: 0° to 65° C
- Storage Temperature: -20° to 70° C
- Humidity: 0 to 95% non-condensing



Live encapsulation/de-encapsulation information and statistics

